

**PLEASE CHECK WWW.MOLEX.COM FOR LATEST PART INFORMATION**

**Part Number:** [0191310111](#)  
**Status:** **Active**  
**Description:** InsulKrimp™ Block Spade Tongue Terminal for 10 to 12 AWG Wire, Stud Size 10, Length 27.31mm (.1.075")

**Documents:**

[Drawing \(PDF\)](#) [RoHS Certificate of Compliance \(PDF\)](#)  
[Product Specification PS-19902-009 \(PDF\)](#)

**Agency Certification**

CSA LR18689  
 UL E32244

**General**

Product Family Ring and Spade Terminals  
 Series [19131](#)  
 Crimp Quality Equipment Yes  
 Mil-Spec N/A  
 Product Name InsulKrimp™  
 Type Spade Block

**Physical**

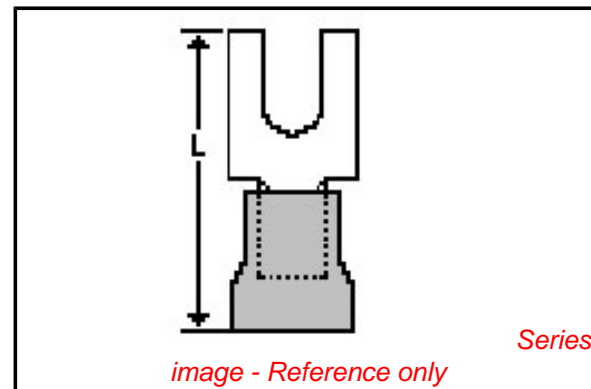
Barrel Type Closed  
 Color - Resin Natural  
 Flammability 94V-0  
 Insulation PVC  
 Material - Plating Mating Tin  
 Packaging Type Bag  
 Stud Size M10  
 Termination Interface: Style Crimp or Compression  
 Wire Insulation Diameter 6.40mm (.250") max.  
 Wire Size AWG 10, 12  
 Wire Size mm² 3.30 - 5.00

**Material Info**

Old Part Number C-2105-10X BULK

**Reference - Drawing Numbers**

Product Specification PS-19902-009  
 Sales Drawing CCD20301



**EU RoHS**

**ELV and RoHS  
 Compliant**  
**REACH SVHC**  
 Not Reviewed  
**Halogen-Free  
 Status**  
**Not Reviewed**

**China RoHS**



**Need more information on product  
 environmental compliance?**

Email [productcompliance@molex.com](mailto:productcompliance@molex.com)  
 For a multiple part number RoHS Certificate of Compliance, [click here](#)

Please visit the [Contact Us](#) section for any non-product compliance questions.

**Search Parts in this Series**  
[19131Series](#)

FILE NO.

C-CD-203-01

REV A ADDED 8X, 10X TO CHART UNDER PART# C-2105 1/31/88

**NOTES:**

① MAT'L: COPPER (STOCK THK. 040)

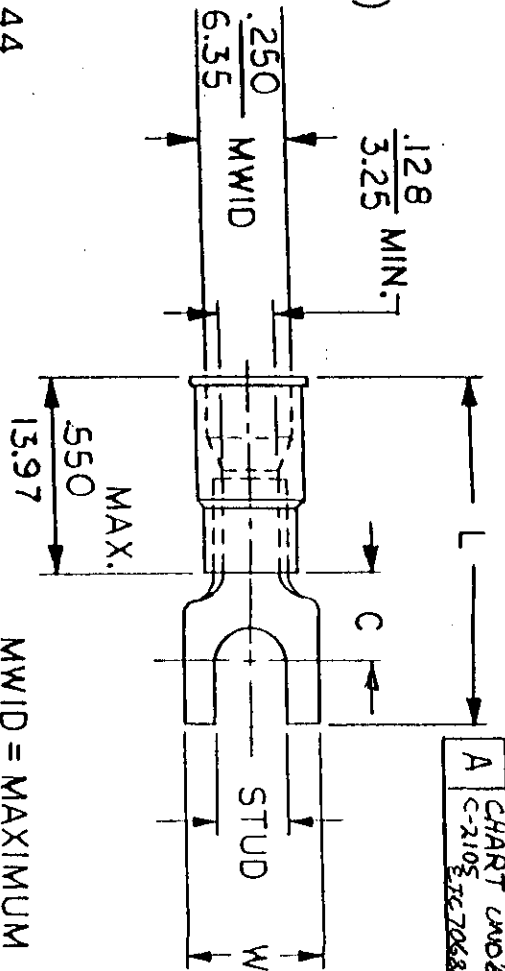
PLATING: ELECTRO-TIN (.0003 MIN.)

② INSULATION: MOLDED PVC (YELLOW)

STUD SIZES: ( $\pm .005$ )

- 02 = .094
- 04 = .119
- 06 = .146
- 08 = .173
- 10 = .198
- 14 = .265
- 56 = .328
- 38 = .390

"UL" LISTING #E32244  
 "CSA" LISTING #18689



ALL DIMENSIONS =  $\frac{\text{INCHES}}{\text{MM}}$

MWID = MAXIMUM WIRE INSULATION DIAMETER  
 WIRE SIZE: 12-10AWG  
 40-60MM<sup>2</sup>

PART NUMBER	"W" ±.010	"C" MIN.	"L" MAX.	AVAILABLE STUD SIZES
C-2102-	$\frac{415}{10.54}$	$\frac{305}{7.75}$	$\frac{1.075}{27.31}$	08X
C-2105-	$\frac{320}{8.13}$	$\frac{305}{7.75}$	$\frac{1.075}{27.31}$	06X, 08X, 10X

DIMENSIONAL TOLERANCES UNLESS OTHERWISE SPECIFIED		REFERENCE	SCALE:	NTS	DATE:	TITLE:
FRAC.	DEC.	ANG.	DRWN. BY:	JJ	10-31-84	SPADE TONGUE TERMINAL
=	=	=	CHKD. BY:	GA	11-25-84	INSULKRIMP 200-SERIES
			APPRD. BY:			



DWG. A CUSTOMER DWG.